

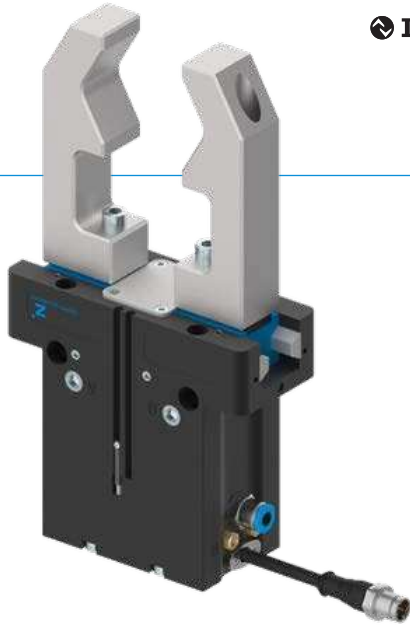
2-JAW PARALLEL GRIPPERS

SERIES GPP5000IL

1

Series GPP5000IL / 2-Jaw Parallel Grippers / pneumatic / Grippers

▶ PRODUCT ADVANTAGES













IO-Link

“The hybrid”

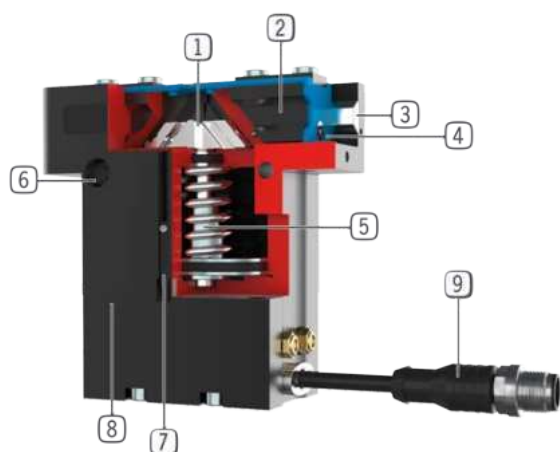
- ▶ Pneumatic drive combined with IO-Link technology
- ▶ Up to 50% reduction in cycle times and up to 90% less compressed air usage
- ▶ Connection over just one pneumatic line and IO-Link cable
- ▶ Integrated valve technology, sensor technology, status display, pressure monitoring and temperature monitoring
- ▶ Part detection down to +/- 0.05 mm for a tolerance range that can be taught for any value
- ▶ 32 workpieces data sets can be programmed
- ▶ Protected from corrosion and sealed in accordance with IP64
- ▶ Up to 30 million cycles without maintenance

▶ SERIES CHARACTERISTICS

Installation size	Version						
	GPP50XXIL	N	NC	NO	S	SC	SO
 IO-Link	•	•	•	•	•	•	•
 Spring closing C		•				•	
 Spring opening O				•			•
 High-strength S					•	•	•
 30 million maintenance-free cycles (max.)	•	•	•	•	•	•	•
 Integrated sensing	•	•	•	•	•	•	•
 Integrated valve technology	•	•	•	•	•	•	•
 Protected against corrosion	•	•	•	•	•	•	•
 Purged air	•	•	•	•	•	•	•
 IP 64	•	•	•	•	•	•	•



► BENEFITS IN DETAIL



- ① **Wedge hook mechanism**
 - Supports to absorb high forces and moments
 - Synchronized gripper jaw movement
- ② **Gripper jaw**
 - Gripper fingers mounted using removable centering sleeves
 - Lubricated for life via incorporated lubrication slots
- ③ **Steel Linear Guide**
 - Steel in steel guide
 - Enables use of extremely long gripper fingers
- ④ **Dual lip seal**
 - IP64
 - Prevents grease from being squeezed out, increasing service life
- ⑤ **Integrated gripping force safety device**
 - Spring built into cylinder chamber as an energy store
- ⑥ **Mounting and positioning**
 - Alternatively, on several sides for customized mounting
- ⑦ **Position sensing**
 - integrated Hallsensor
- ⑧ **Integrated valve technology**
 - Activation of the gripper by means of a compressed air supply
- ⑨ **Integrated control module**
 - Single-cable solution via IO-Link
 - Pressure, temperature, position and other parameters are readable

► TECHNICAL DATA

Installation size	Stroke per jaw [mm]	Gripping force [N]	Weight [kg]	IP class
GPP5006IL	3 - 6	330 - 1080	0,45 - 0,53	IP64
GPP5008IL	4 - 8	520 - 1670	0,75 - 0,87	IP64
GPP5010IL	5 - 10	885 - 2890	1,23 - 1,45	IP64

► FURTHER INFORMATION IS AVAILABLE ONLINE



All information just a click away at: www.zimmer-group.com. Find data, illustrations, 3D models and operating instructions for your installation size using the order number for your desired product. Quick, clear and always up-to-date.