

# O-RING ASSEMBLY GRIPPER, INNER SERIES GSI

1

Series GSI / O-ring assembly gripper, inner / pneumatic / Grippers

## ▶ PRODUCT ADVANTAGES



### ▶ Concentration on the essentials

Only pay for what you need - individual standard gripper specific to O-ring inside assembly

### ▶ Adjustable expanding stroke

Prevents the O-ring from overexpanding and ensures consistent production quality

### ▶ Query about magnetic field sensor technology

Detecting the end position allows you to have shorter cycle times and an integrated control system

## ▶ SERIES CHARACTERISTICS

Installation size

GSIXX



5 million maintenance-free cycles (max.)

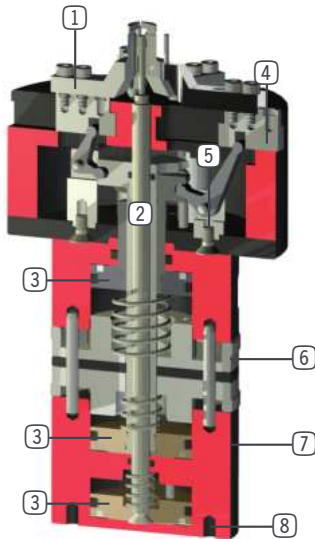


Magnetic field sensor



IP30



**► BENEFITS IN DETAIL**

- 1 Spread jaws**  
- to position the O-ring in the groove of the workpiece
- 2 Ejector (piston rod)**  
- to remove the O-ring
- 3 Driven by three single-acting pneumatic cylinders**  
- drive for grabber jaws  
- drive for spread jaws  
- drive for ejector
- 4 Grabber jaw**  
- to grab the O-ring
- 5 Force transfer**  
- via lever and connecting rod
- 6 Stroke adjustment on grabber jaws**  
- prevents overstretching of O-ring during assembly
- 7 Stroke on spread jaws**  
- adjustable to fit bore diameter of workpiece
- 8 Mounting and positioning**  
- axial, on the gripper bottom

**► TECHNICAL DATA**

Installation size	Opening stroke adjustable per jaw [mm]	Recommended O-ring diameter [mm]	Weight [kg]	IP class
GSI206	1 - 6	11 - 130	1.1	IP30

**► FURTHER INFORMATION IS AVAILABLE ONLINE**

All information just a click away at: [www.zimmer-group.com](http://www.zimmer-group.com). Find data, illustrations, 3D models and operating instructions for your installation size using the order number for your desired product. Quick, clear and always up-to-date.